

**■ PIN CONNECTION DIAGRAM / 半導体外形図**

● ICs

BA15218N 	μPC4570HA 	LA7956 	TA7291P 	STK311-020B 	STK400-040 
TC4066BP 	TA2040AP TC9299P 	LC72130 LC74781-9626 	LA1835 LC7536-Y LC78213 LC78211 		
NJM4558MT-1 NJM2068MD-T1 μPC4570G2 	LH5P832N-20 	AN8806SB 	M38024M6-243FP 	M38172M4-195FP 	
SN74HC125NSR 	LA6536M 	YSS203B 	MN66271RA 	M38197MA-176FP 	
TC4053BF 					

● Diodes

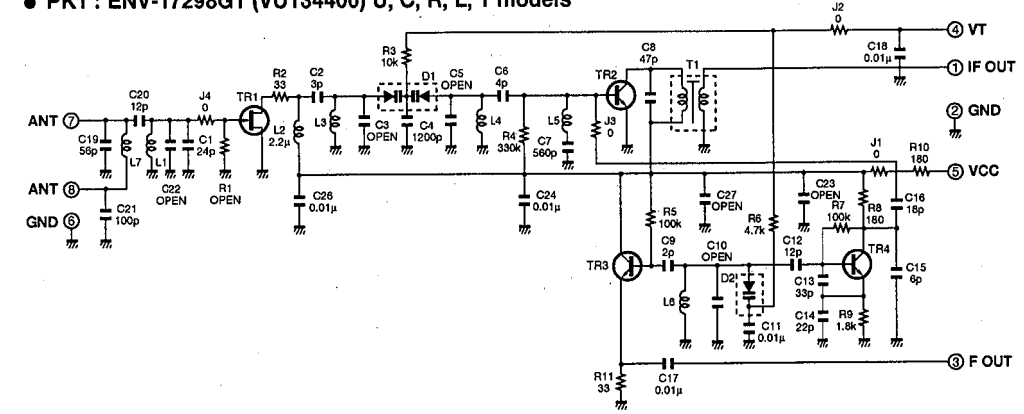
MA8039-H MA8056-M MA8051-M MA8062-H MA8068-M MA8110-L MA8120-H MA8270-M UDZ7.5B 	1SS355 1SS380 	1SS133 1SR139-400 MTZJ5.1A MTZJ13.0B MTZJ6.2C 	S1V820 	RBV-602 
---	----------------------	---	------------	-------------

● Transistors

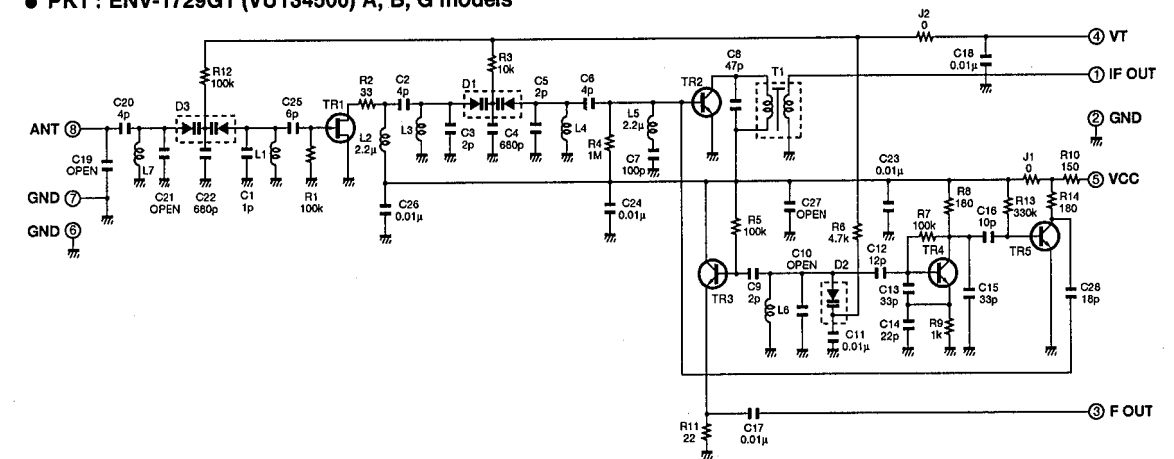
2SA933S (Q, R) 2SC1740S (R, S) DTA114ES DTA144ES DTC144ES 	DTC144EK 
2SA970 (GR, BL) 2SB647 (C, D) 2SB660 (E, F) 2SC535 (A, B, C) 2SC2240 (GR, BL) 2SC2878 (A, B) 2SC4208A (Q, R, S) 	2SB1565 (E, F) 2SD2396 (J, K) 

**■ FRONT END PACK / フロントエンドパック**

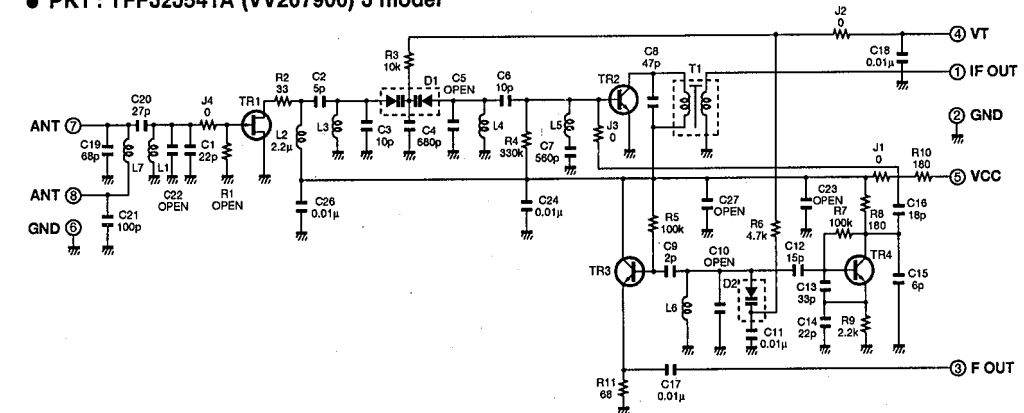
● PK1 : ENV-17298G1 (VU134400) U, C, R, L, T models



● PK1 : ENV-1729G1 (VU134500) A, B, G models



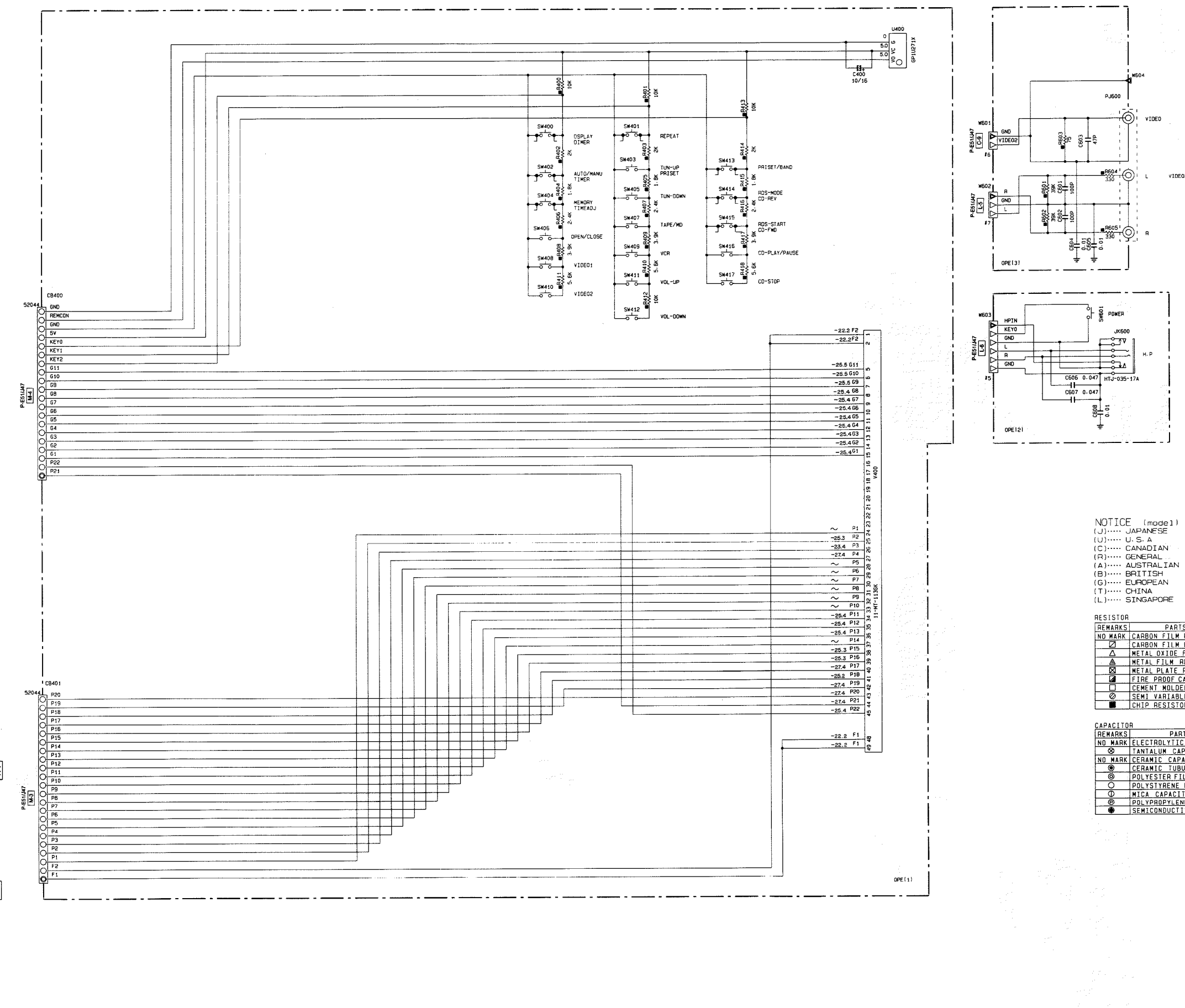
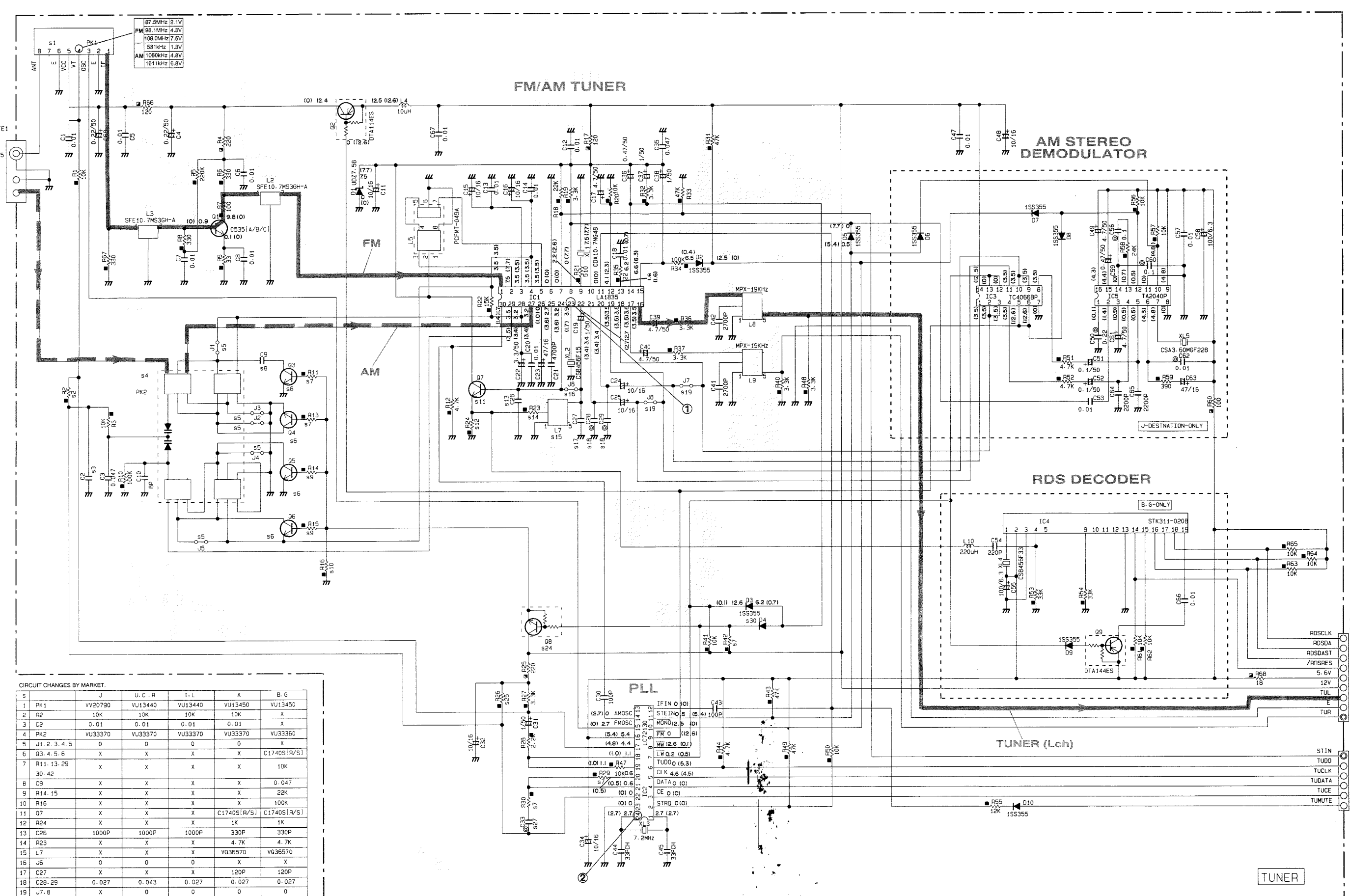
● PK1 : TFFJ2J541A (VV207900) J model



# TCD-AV1 SCHEMATIC DIAGRAM / 総回路図 (TUNER & OPERATION)

Each voltage represents the voltage when receiving FM (stereo) signal and the voltage in the parentheses ( ) is the voltage when receiving AM signal.

チューナー部の電圧は、FM83.0MHzステレオ受信時の電圧です。ただし、( )の電圧は、AM1080kHz受信時の電圧です。



**CIRCUIT CHANGES BY MARKET**

	J	U.C.	T	S.L.	A	B.G.
1	PK1	X	X	X	X	X
2	C2	X	X	X	X	X
3	C2	X	X	X	X	X
4	PK2	X	X	X	X	X
5	J1, 2, 3, 4, 5	X	X	X	X	X
6	J2, 4, 5, 6	X	X	X	X	X
7	PK1, 2, 3, 4, 5	X	X	X	X	X
8	C9	X	X	X	X	X
9	PK1, 5	X	X	X	X	X
10	PK1	X	X	X	X	X
11	J1	X	X	X	X	X
12	PK1	X	X	X	X	X
13	C26	X	X	X	X	X
14	PK1	X	X	X	X	X
15	L7	X	X	X	X	X
16	PK1	X	X	X	X	X
17	C27	X	X	X	X	X
18	C28, 29	X	X	X	X	X
19	U7, 8	X	X	X	X	X
20						
21						
22						
23						
24	PK1	X	X	X	X	X
25	PK1	X	X	X	X	X
26						
27	C33	X	X	X	X	X
28						
29						
30	PK1	X	X	X	X	X

X: NOT USED  
O: USED

**NOTICE (mode 1)**

(J)..... JAPANESE  
(U)..... U. S. A  
(C)..... CANADIAN  
(P)..... GENERAL  
(A)..... AUSTRALIAN  
(B)..... BRITISH  
(G)..... EUROPEAN  
(L)..... SINGAPORE

**RESISTOR**

REMARKS	PARTS NAME
NO MARK	CARBON FILM RESISTOR (P=5)
△	CARBON FILM RESISTOR (P=10)
▲	METAL OXIDE FILM RESISTOR
■	METAL FILM RESISTOR
□	METAL PLATE RESISTOR
○	FIRE PROOF CARBON FILM RESISTOR
◇	CEMENT MOLDED RESISTOR
◎	SEMI VARIABLE RESISTOR
⊖	TRIMP RESISTOR

**CAPACITOR**

REMARKS	PARTS NAME
NO MARK	ELECTROLYTIC CAPACITOR
○	TANTALUM CAPACITOR
NO MARK	CERAMIC CAPACITOR
⊗	CERAMIC TUBULAR CAPACITOR
⊙	POLYESTER FILM CAPACITOR
○	POLYSTYRENE FILM CAPACITOR
○	MICA CAPACITOR
⊙	POLYPROPYLENE FILM CAPACITOR
⊙	SEMICONDUCTIVE CERAMIC CAPACITOR

**NOTICE (mode 3)**

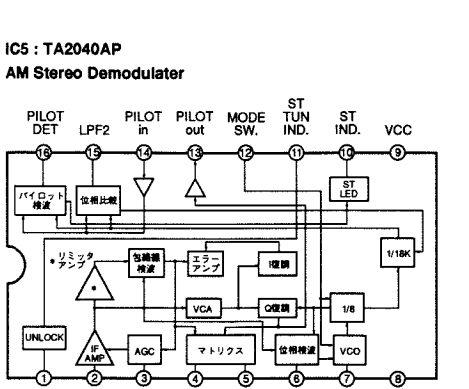
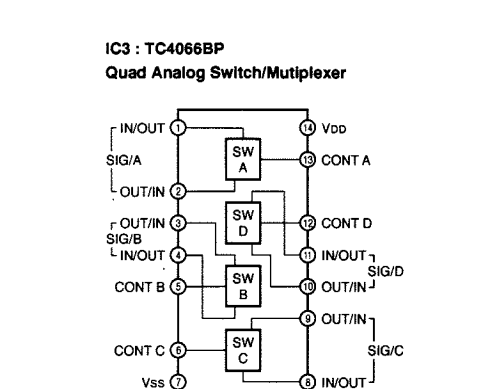
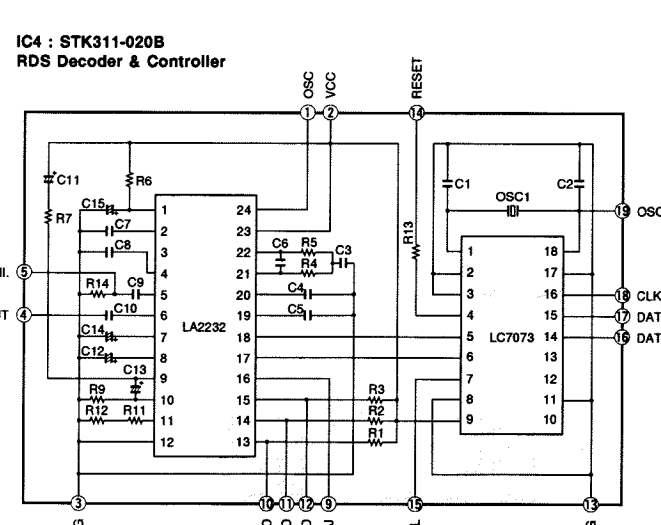
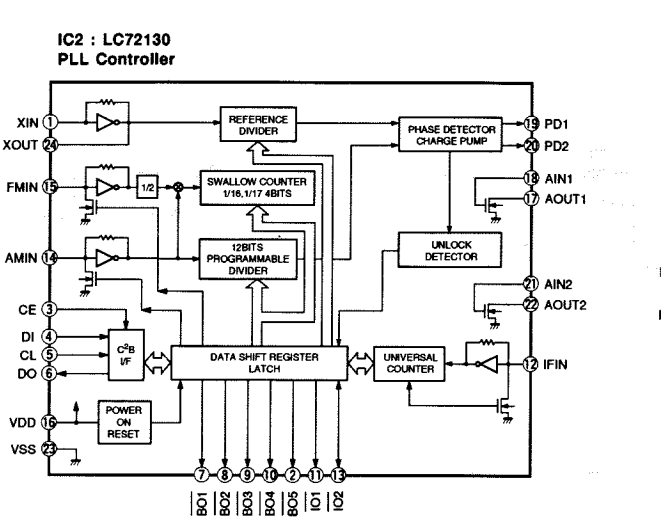
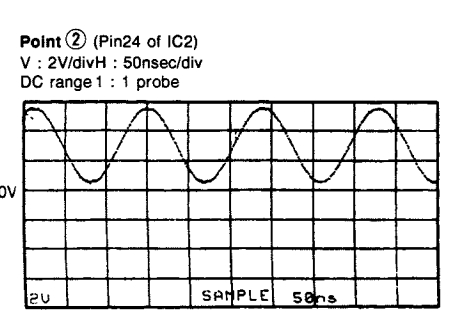
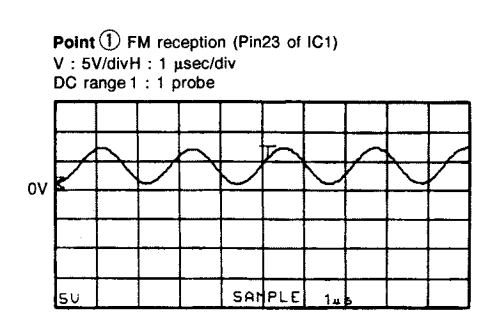
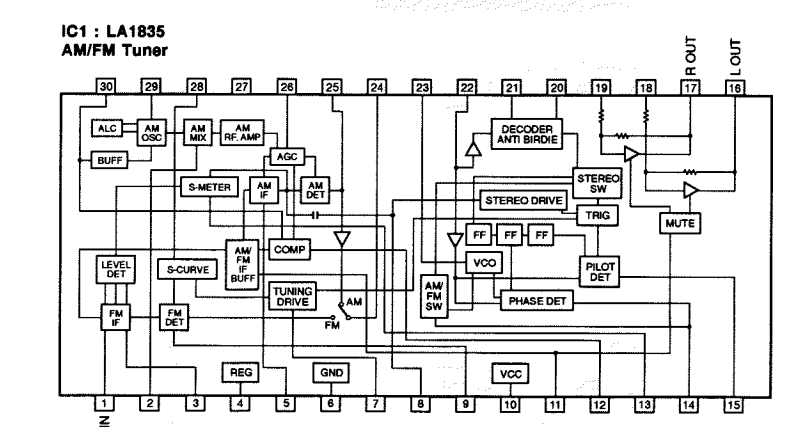
(J)..... JAPANESE  
(U)..... U. S. A  
(C)..... CANADIAN  
(P)..... GENERAL  
(A)..... AUSTRALIAN  
(B)..... BRITISH  
(G)..... EUROPEAN  
(L)..... SINGAPORE

**RESISTOR**

REMARKS	PARTS NAME
NO MARK	CARBON FILM RESISTOR (P=5)
△	CARBON FILM RESISTOR (P=10)
▲	METAL OXIDE FILM RESISTOR
■	METAL FILM RESISTOR
□	METAL PLATE RESISTOR
○	FIRE PROOF CARBON FILM RESISTOR
◇	CEMENT MOLDED RESISTOR
◎	SEMI VARIABLE RESISTOR
⊖	TRIMP RESISTOR

**CAPACITOR**

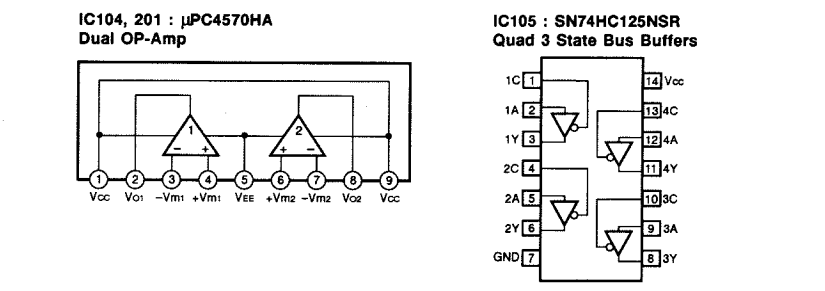
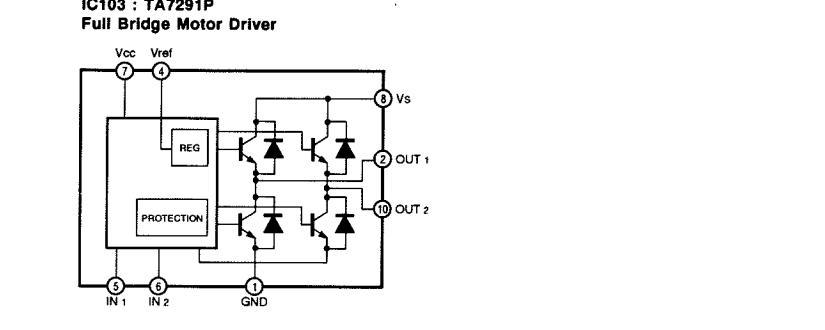
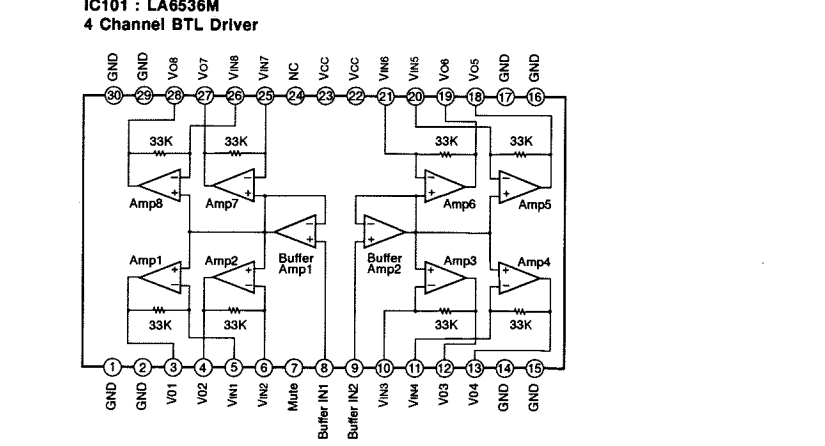
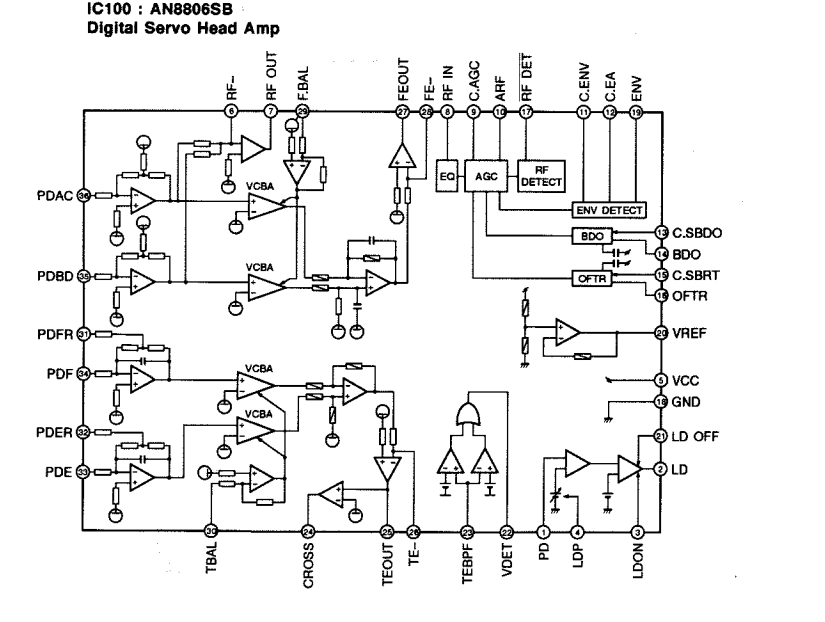
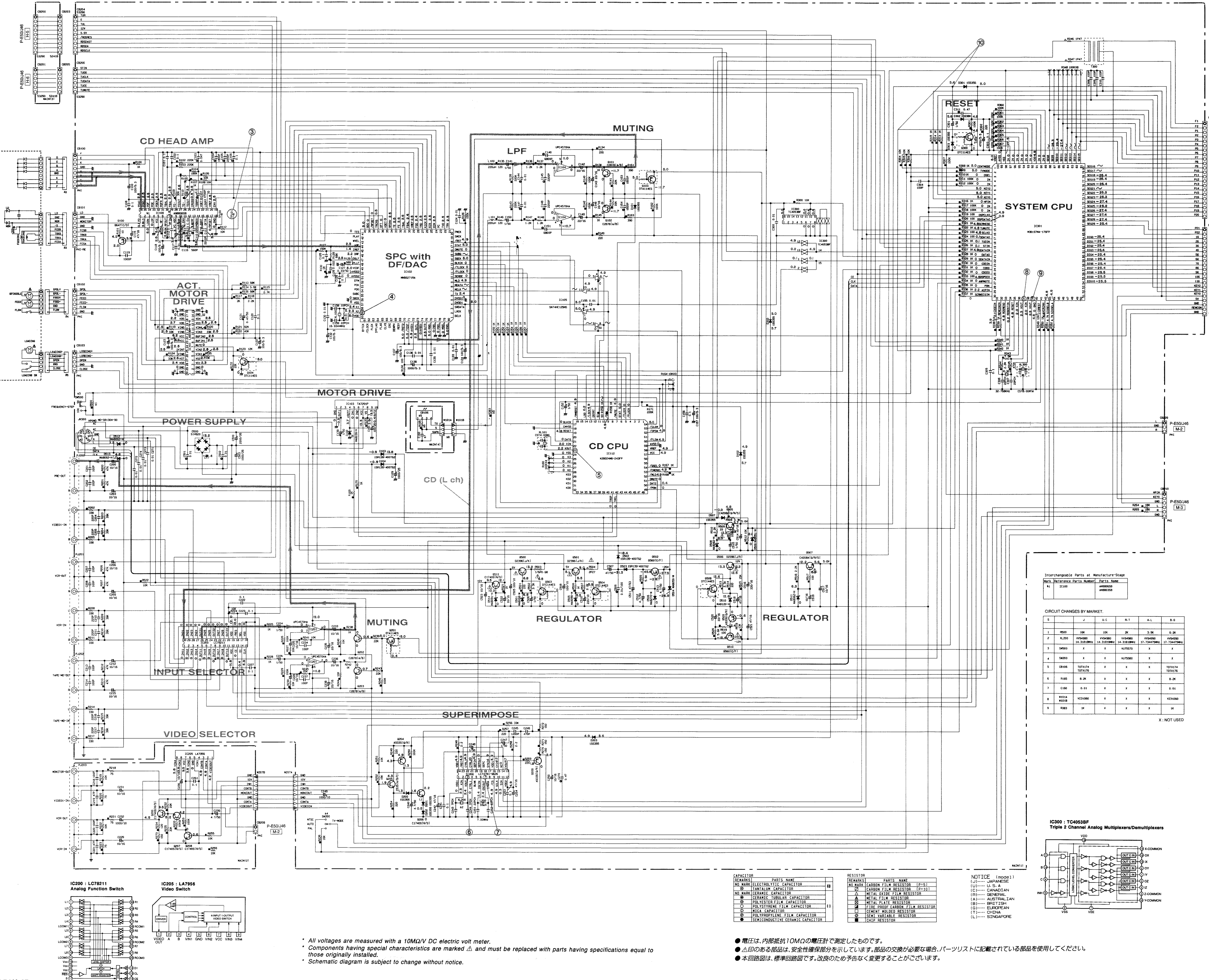
REMARKS	PARTS NAME
NO MARK	ELECTROLYTIC CAPACITOR
○	TANTALUM CAPACITOR
NO MARK	CERAMIC CAPACITOR
⊗	CERAMIC TUBULAR CAPACITOR
⊙	POLYESTER FILM CAPACITOR
○	POLYSTYRENE FILM CAPACITOR
○	MICA CAPACITOR
⊙	POLYPROPYLENE FILM CAPACITOR
⊙	SEMICONDUCTIVE CERAMIC CAPACITOR



\* All voltages are measured with a 10MΩ/V DC electric volt meter.  
\* Components having special characteristics are marked △, and must be replaced with parts having specifications equal to those originally installed.  
\* Schematic diagram is subject to change without notice.

●電圧は、内部抵抗10MΩの電圧計で測定したものです。  
●△印のある部品は、安全性確保部分を示しています。部品の交換が必要な場合、パーツリストに記載されている部品を使用してください。  
●本回路図は、標準回路図です。改良のため予告なく変更することがございます。

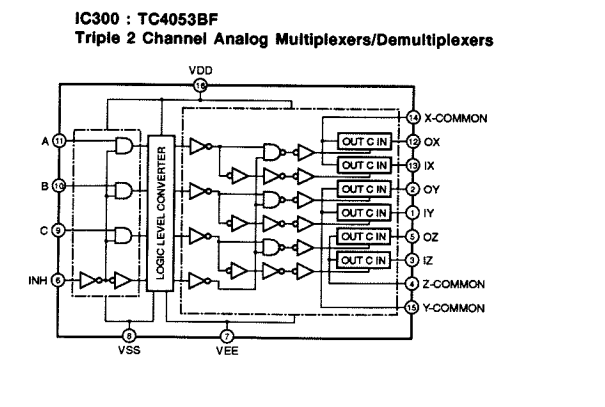
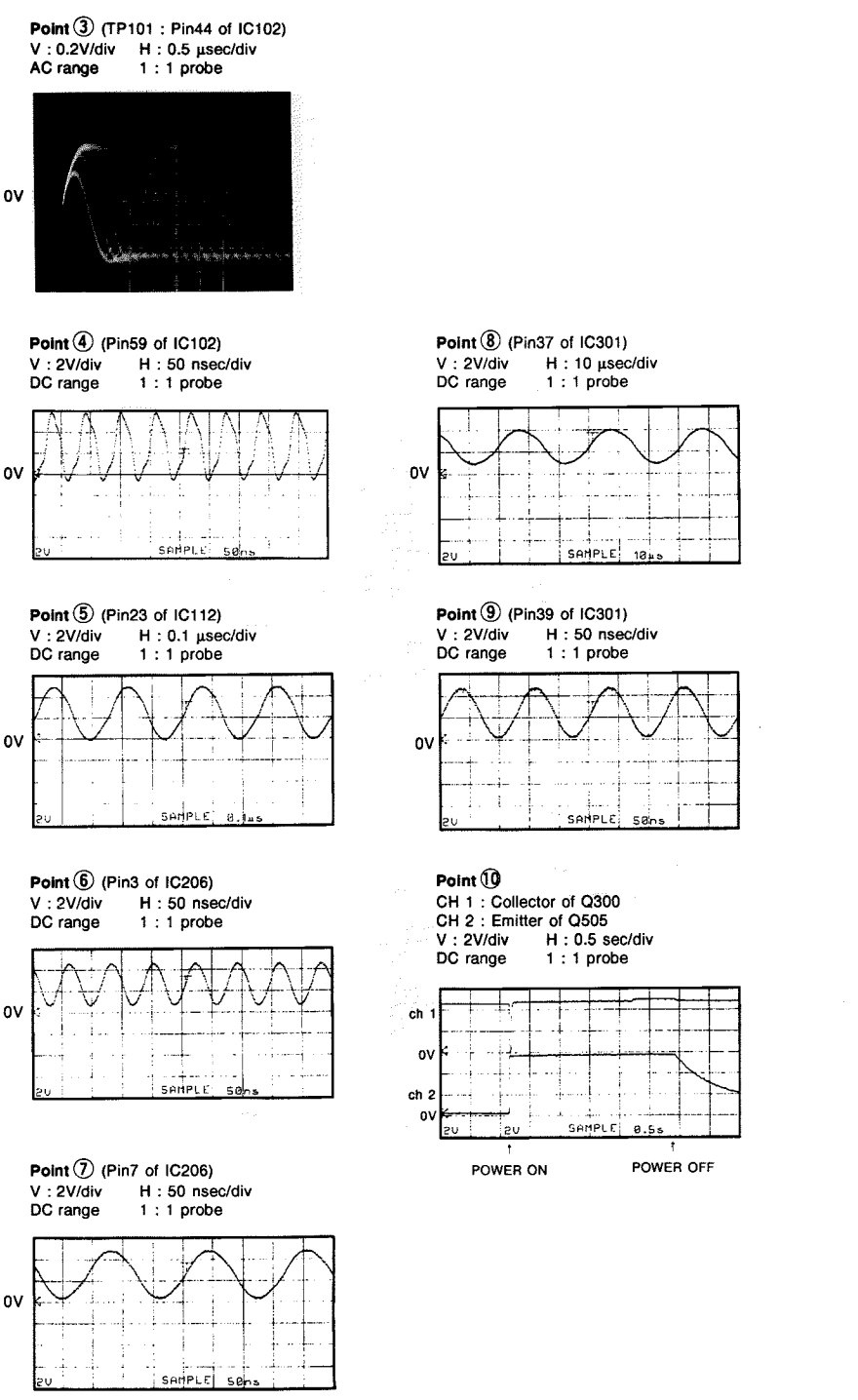
AV-1  
**TCD-AV1 SCHEMATIC DIAGRAM / 総回路図 (MAIN)**



Interchangeable Parts at Manufacture Stage

NO.	IC100	AN8806SB	AN8806SB
1	RES0	1K	1K
2	AL200	VY9900	VY9900
3	SM560	X	X
4	SM600	X	X
5	DR106	1074174	1074174
6	FR05	8.2K	8.2K
7	CR100	0.01	0.01
8	VR104	V230660	V230660
9	NR01	1K	1K

X: NOT USED



APACITOR PARTS NAME

NO MARK	ELECTROLYTIC CAPACITOR
TA	TANTALUM CAPACITOR
NO MARK	CERAMIC CAPACITOR
CE	CERAMIC DISK CAPACITOR
PO	POLYESTER FILM CAPACITOR
PF	POLYPROPYLENE FILM CAPACITOR
PC	POLYPROPYLENE FILM CAPACITOR
SC	SEMICONDUCTIVE CERAMIC CAPACITOR

RESISTOR PARTS NAME

NO MARK	CARBON FILM RESISTOR (±5%)
CF	CARBON FILM RESISTOR (±10%)
MC	METAL OXIDE FILM RESISTOR
MP	METAL PLATE RESISTOR
FC	FIRE PROOF CARBON FILM RESISTOR
CM	CEMENT WOUND RESISTOR
CV	VAR VARIABLE RESISTOR
CH	CHIP RESISTOR

NOTICE (ROOM)

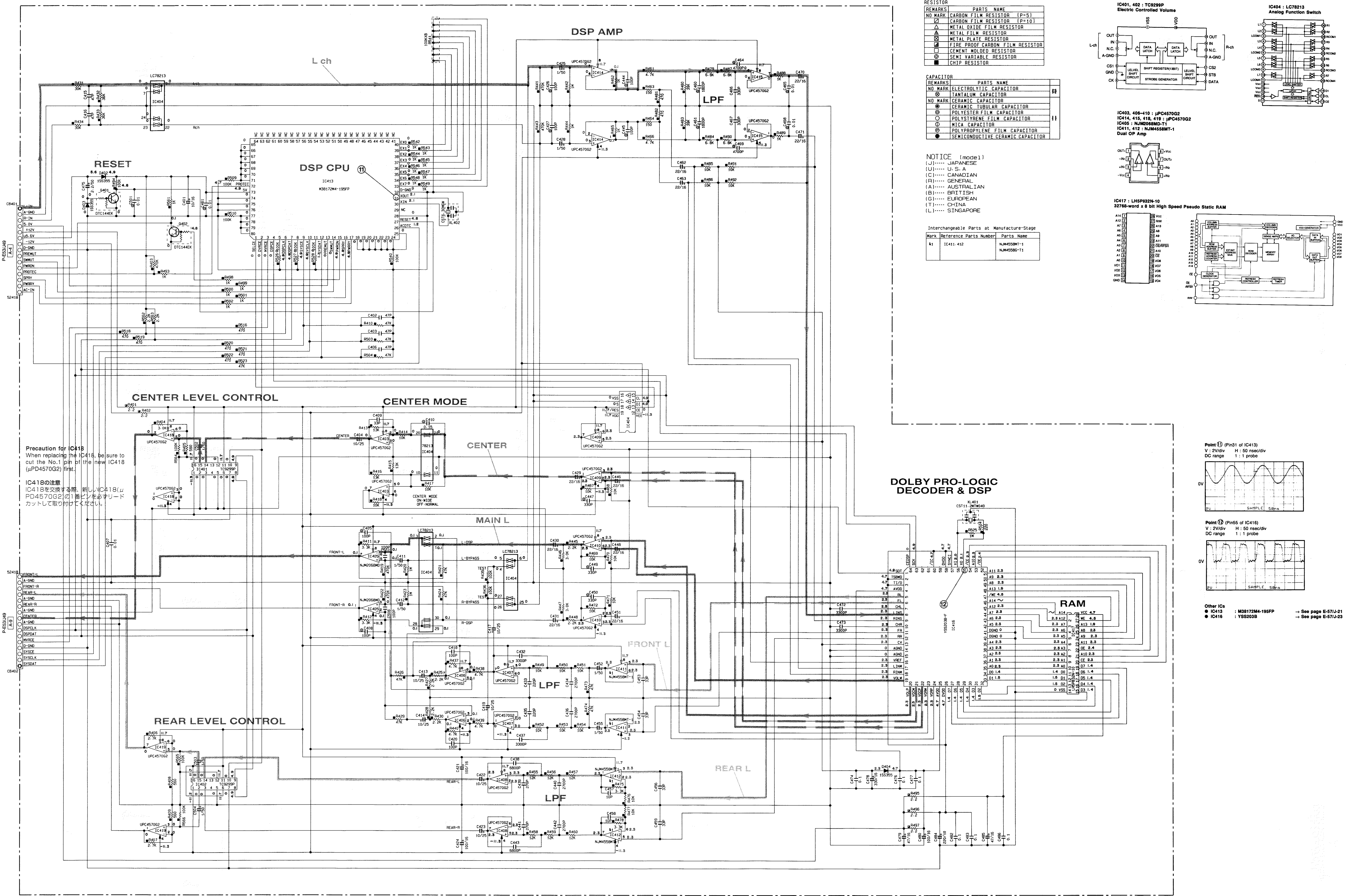
- (J)..... JAPANESE
- (U, S, A)..... U. S. A.
- (C)..... CANADIAN
- (G)..... GENERAL
- (A)..... AUSTRALIAN
- (E)..... BRITISH
- (EU)..... EUROPEAN
- (Y)..... CHINA
- (L)..... SINGAPORE

\* All voltages are measured with a 10MΩ/V DC electric volt meter.  
 \* Components having special characteristics are marked Δ and must be replaced with parts having specifications equal to those originally installed.  
 \* Schematic diagram is subject to change without notice.

●電圧は、内部抵抗10MΩの電圧計で測定したものです。  
 ●△印のある部品は、安全性確保部分を示しています。部品の交換が必要な場合、パーツリストに記載されている部品を使用してください。  
 ●本回路図は、標準回路図です。改良のため予告なく変更することがございます。



SW-AV1 SCHEMATIC DIAGRAM / 総回路図 (DSP)



RESISTOR

REMARKS	PARTS NAME
NO MARK	CARBON FILM RESISTOR (P=5)
△	CARBON FILM RESISTOR (P=10)
▲	METAL OXIDE FILM RESISTOR
□	METAL FILM RESISTOR
■	FIRE PROOF CARBON FILM RESISTOR
◎	CEMENT MOLDED RESISTOR
○	SEMI VARIABLE RESISTOR
●	CHIP RESISTOR

CAPACITOR

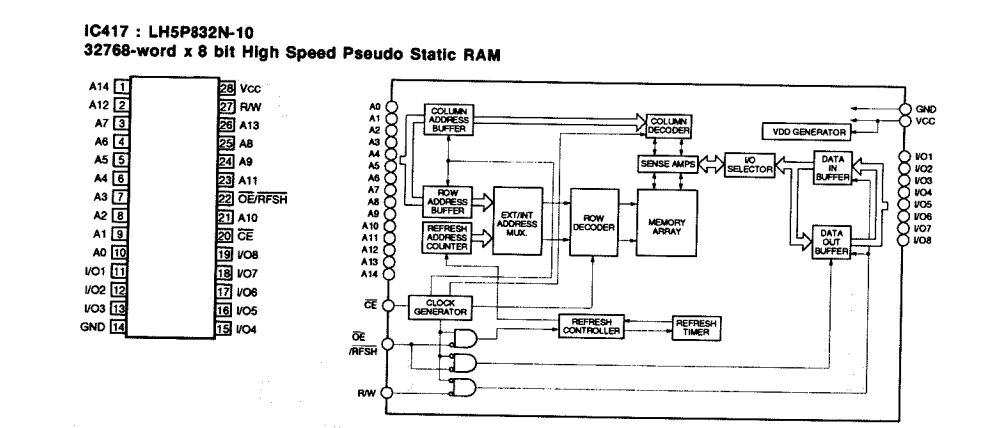
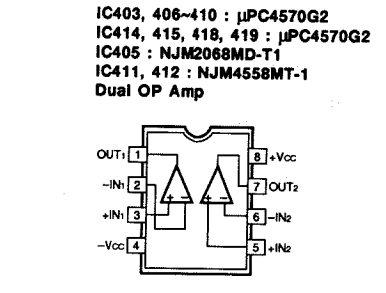
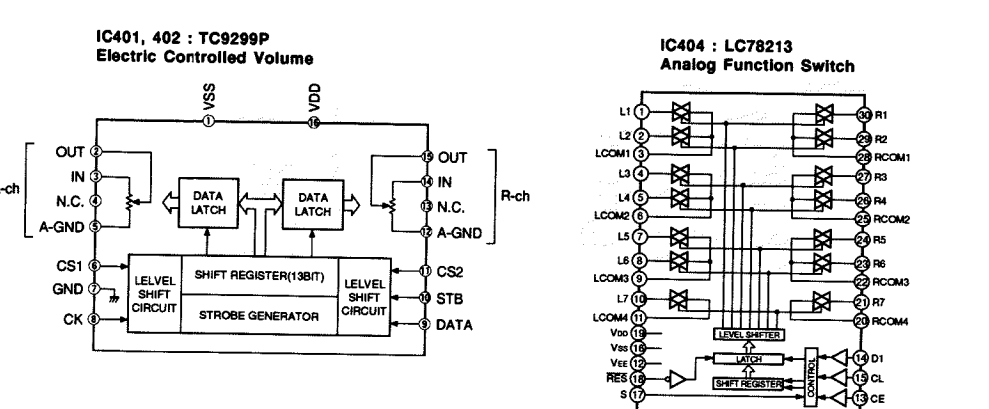
REMARKS	PARTS NAME
NO MARK	ELECTROLYTIC CAPACITOR
◎	TANTALUM CAPACITOR
○	CERAMIC CAPACITOR
●	CERAMIC TUBULAR CAPACITOR
△	POLYESTER FILM CAPACITOR
□	POLYSTYRENE FILM CAPACITOR
◇	MICA CAPACITOR
○	POLYPROPYLENE FILM CAPACITOR
●	SEMICONDUCTIVE CERAMIC CAPACITOR

NOTICE (model)

(J)..... JAPANESE  
 (U)..... U.S.A  
 (C)..... CANADIAN  
 (R)..... GENERAL  
 (A)..... AUSTRALIAN  
 (B)..... BRITISH  
 (G)..... EUROPEAN  
 (TI)..... CHINA  
 (L)..... SINGAPORE

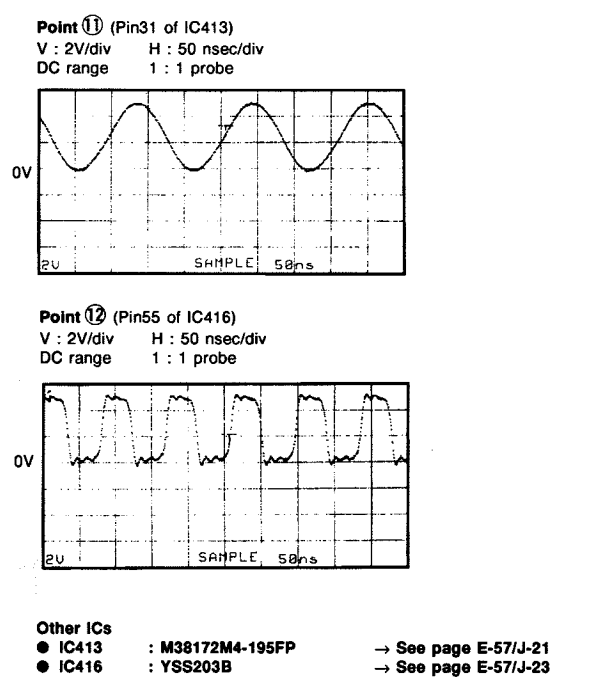
Interchangeable Parts at Manufacture Stage

Mark	Reference Number	Parts Name
k1	IC411-412	NJM4558M-1
		NJM4556M-1



Precaution for IC418  
 When replacing the IC418, be sure to cut the No.1 pin of the new IC418 (μPD4570G2) first.

IC418の注意  
 IC418を交換する際、新しいIC418(μPD4570G2)の1番ピンを必ずリードカットして取り付けてください。



\* All voltages are measured with a 10MΩ/V DC electric volt meter.  
 \* Components having special characteristics are marked △, and must be replaced with parts having specifications equal to those originally installed.  
 \* Schematic diagram is subject to change without notice.

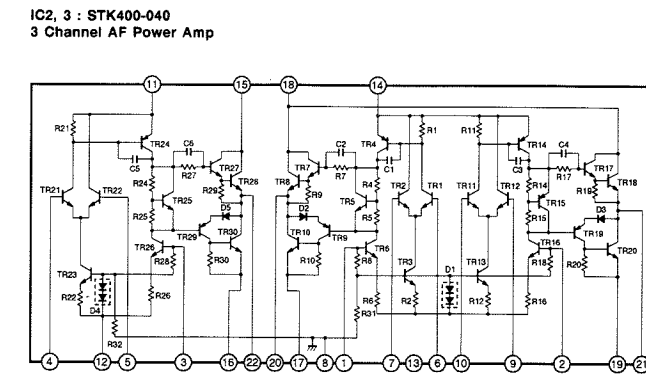
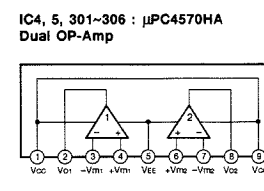
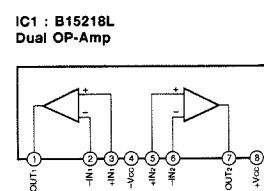
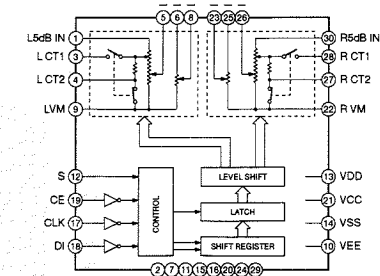
● 電圧は、内部抵抗10MΩの電圧計で測定したものです。  
 ● △印のある部品は、安全性確保部分を示しています。部品の交換が必要な場合、パーツリストに記載されている部品を使用してください。  
 ● 本回路図は、標準回路図です。改良のため予告なく変更することがあります。

SW-AV1 SCHEMATIC DIAGRAM / 総回路図 (AMP & VOLUME)

REMARKS	PARTS NAME
NO MARK	CARBON FILM RESISTOR (P-F)
□	CARBON FILM RESISTOR (P-T)
△	METAL FILM RESISTOR
▲	METAL PLATE RESISTOR
■	FIRE-PROOF CARBON FILM RESISTOR
◇	CEMENT MOLDED RESISTOR
○	SEMI-VARIABLE RESISTOR
●	CHIP RESISTOR

REMARKS	PARTS NAME
NO MARK	ELECTROLYTIC CAPACITOR
○	TANTALUM CAPACITOR
□	CERAMIC CAPACITOR
●	CERAMIC TUBULAR CAPACITOR
○	POLYESTER FILM CAPACITOR
○	POLYSTYRENE FILM CAPACITOR
○	MICA CAPACITOR
○	POLYPROPYLENE FILM CAPACITOR
●	SEMICONDUCTIVE CERAMIC CAPACITOR

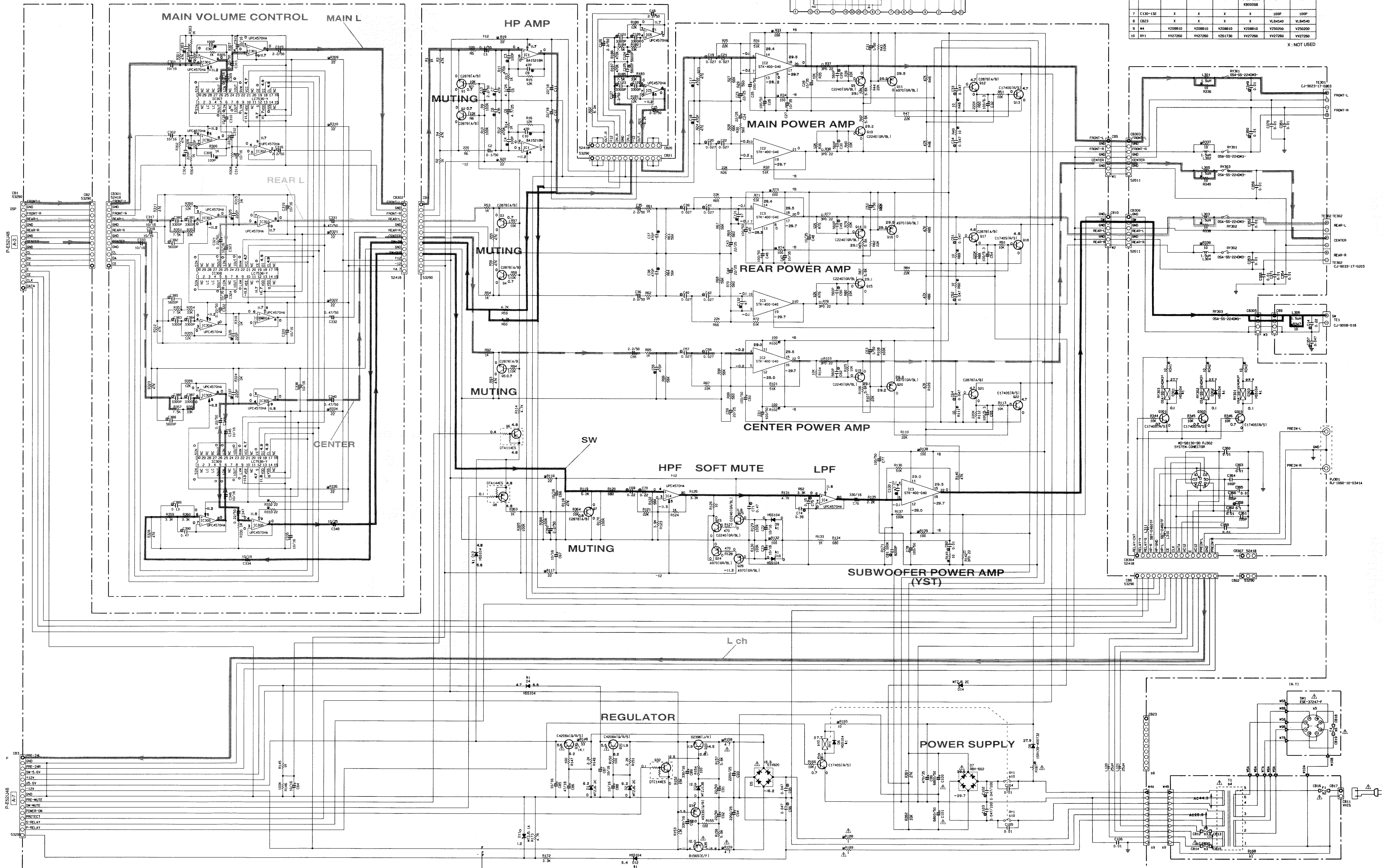
NOTICE (model)  
 (J)..... JAPANESE  
 (U)..... U. S. A  
 (C)..... CANADIAN  
 (R)..... GENERAL  
 (A)..... AUSTRALIAN  
 (B)..... BRITISH  
 (E)..... EUROPEAN  
 (T)..... CHINA  
 (L)..... SINGAPORE



Mark	Reference Parts Number	Parts Name
A1	DA 6.9.10.12.13	HSS104
	301-303	10B130
		10B176

CIRCUIT CHANGES BY MARKET						
S	J	U	C	R.T	A	S-G-L
1	R106	X	1/252-2M	1/252-2M	X	X
2	F1	4A125V	4A125V	4A125V	T1: 25AL250V	T1: 25AL250V
		Y80230	Y80230	Y80230	K800709	K800068
3	F2-F3	1: 25A125V	1: 25A125V	1A125V	K801177	K801177
		Y80230	Y80230	K801177	K801177	K801177
4	T1	X	X	X	X	X
5	SM1	X	X	X	Y80130	X
6	F4	X	X	X	T1: 25AL250V	X
					K800068	
7	C130-132	X	X	X	X	100P
8	CB23	X	X	X	X	VL84540
9	K4	V250B10	V200B10	V200B10	V200B10	V250B10
10	RY1	YV27260	YV27260	YV27260	YV27260	YV27260

X: NOT USED



\* All voltages are measured with a 10MΩ/V DC electric volt meter.  
 \* Components having special characteristics are marked △ and must be replaced with parts having specifications equal to those originally installed.  
 \* Schematic diagram is subject to change without notice.

● 電圧は、内部抵抗10MΩの電圧計で測定したものです。  
 ● △印のある部品は、安全性確保部分を示しています。部品の交換が必要な場合、パーツリストに記載されている部品を使用してください。  
 ● 本回路図は、標準回路図です。改良のため予告なく変更することがあります。